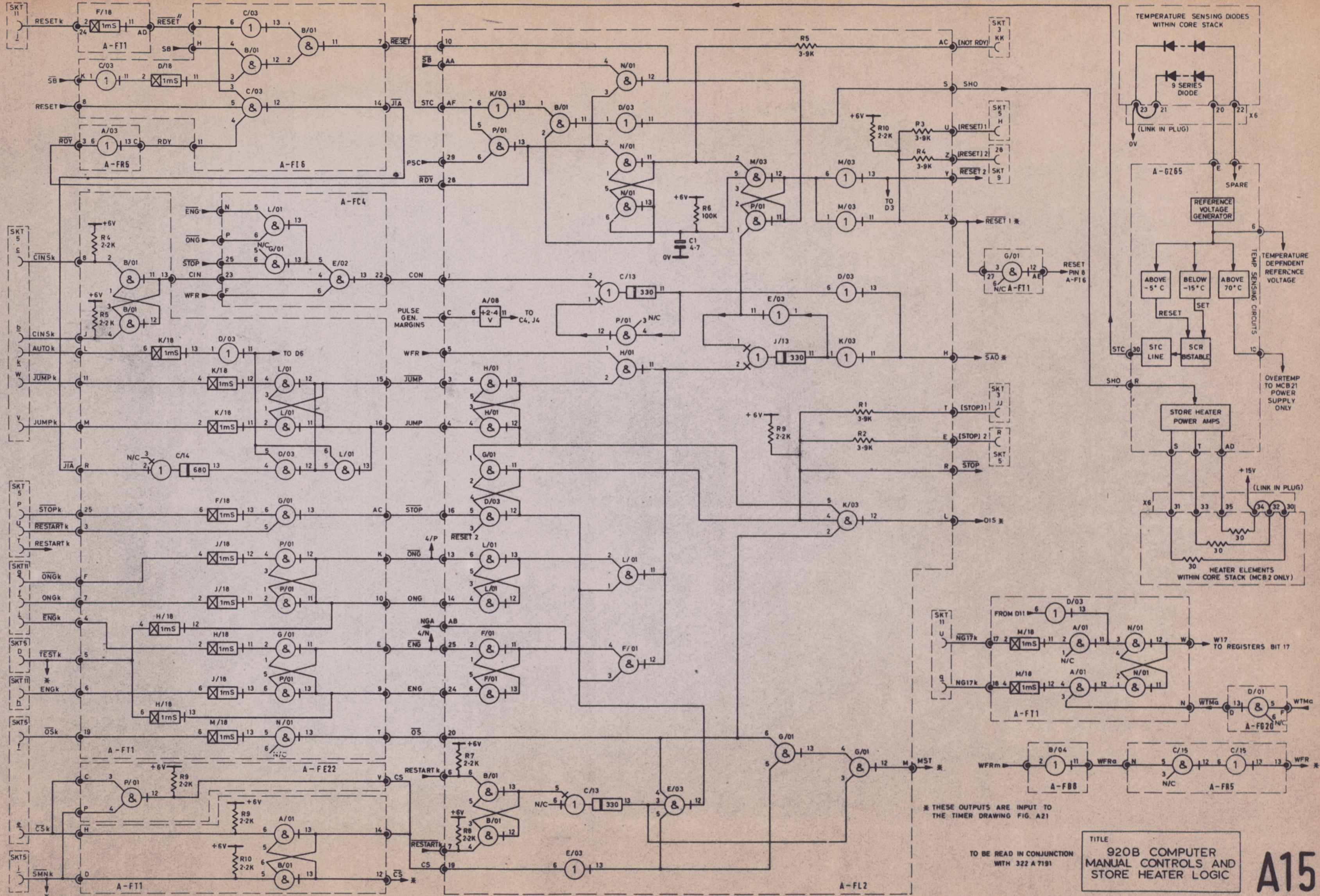


USED ON A7201



\* THESE OUTPUTS ARE INPUT TO THE TIMER DRAWING FIG. A21

TO BE READ IN CONJUNCTION WITH 322 A 7191

TITLE  
 920B COMPUTER  
 MANUAL CONTROLS AND  
 STORE HEATER LOGIC

A15

LATEST M.I. INCORPORATED M.I. 2998

ISSUE No.	1	MATERIAL	FINISH	ELLIOTT BROTHERS (LONDON) LTD
ALT <sup>n</sup> No.	1001			
DATE	1.11.66			
INITIALS	W.F.P.			
PARTS LIST No.		DRAWN	CHECKED	APPROVED
		W.F.P.	C.B.S.S.	A.W.
				DATE
				1.11.66
© Elliott Brothers (London) Limited		TOLERANCES		TITLE
THIS DRAWING IS THE PROPERTY OF ELLIOTT BROTHERS (LONDON) LIMITED AND MUST BE KEPT UNDER LOCK AND KEY AND NOT BE REPRODUCED OR COPIED IN ANY MANNER WITHOUT THE WRITTEN PERMISSION OF ELLIOTT BROTHERS (LONDON) LIMITED.		DECIMAL IN FRACTIONS ANGULAR DIMENSIONS UNLESS OTHERWISE STATED		920B COMPUTER MANUAL CONTROLS AND STORE HEATER LOGIC
				SCALE
				DRAWING No.
				322D8069